




Applications:

- Rapid disaster deployment
- Handheld relay control for security officer empowerment (use for functions such as entrance / exit control or possible duress notifications)
- Random ID challenges
- Security officer booth / ID checks in trucks and buses
- Staff enrollment / asset tracking
- Mustering / emergency assembly points

Ordering Information	Credential technologies	Kit components
HHR-3152-GY (gray, UPC 816684007330) HHR-3152-WH (white, UPC 816684007347)	Farpointe Prox, HID Prox, AWID Prox (125 kHz)	<i>HHR-9052-GY / HHR-9052-WH Portable Proximity RF Card Reader/Dock</i>
		<i>HHR-6400 Card Reader base interface</i>
		<i>HHR-RCHL Card Reader charging unit</i>
HHR-3156-GY (gray, UPC 816684007354) HHR-3156-WH (white, UPC 816684007361)	HID Prox, EM4102, AWID Prox; ISO14443A/B ISO15693, FeliCa™ (IDm); MIFARE Classic®, MIFARE DESFire® 0.6, MIFARE DESFire® EV1 (32 bit CSN), HID: iCLASS® Standard/ SE/SR/Seos; PIV II, Secure Identity Object® (SIO®)	<i>HHR-9056-GY / HHR-9056-WH Portable Proximity RF Card Reader/Dock</i>
		<i>HHR-6400 Card Reader base interface</i>
		<i>HHR-RCHL Card Reader charging unit</i>
	(HID Reader Module) Global Certifications: UL Recognition (Recognized Component) to UL294 for the USA and CSA C22.2 No. 205 for Canada. CE, FCC 47 Part 15 modular approval, RoHS, WEEE	
	(HID Reader Module) Government Approvals: FIPS 201 PIV II with inclusion on GSA APL	
HHR-3157-GY (gray, UPC 816684007392) HHR-3157-WH (white, UPC 816684007408)	Farpointe Sector, HID iClass® CSN/ UID Outputs (13.56 MHz)	<i>HHR-9057-GY / HHR-9057-WH Portable Proximity RF Card Reader/Dock</i>
		<i>HHR-6400 Card Reader base interface</i>
		<i>HHR-RCHL Card Reader charging unit</i>



Benefits of the Cypress HHR-3150 Series Handheld Wireless Reader System

The Cypress Handheld Wireless Reader verifies credentials by wirelessly communicating with a live database through the reader's Base Unit. The HHR-3150 Series features a lane-selection selector on the Handheld Reader. A vend button on the Handheld Reader controls a relay, which can be used for functions such as controlling doors or gates, or triggering possible duress notifications.

Designed for transportation and cargo facilities; petrochemical, manufacturing, and military sites; and healthcare and educational campuses.

Specifications			
Physical	Handheld Reader		6.81" x 3.63" x 1.58" (17.30 x 9.22 x 4.01 cm) / 1.2 lbs (0.54 kg)
	Charging Dock		4.76" x 4.1" x 2.2" (12.09 x 10.41 x 5.59 cm) / 0.35 lbs (0.16 kg)
	Base Unit		9.25" x 7.0" x 2.25" (23.50 x 17.78 x 5.72 cm) / 1.3 lbs (0.59 kg)
Environmental	Temperature Range		-17 to 54 C
	Base Unit		Weatherproof Enclosure - ABS - IP65
Electrical	Base Unit Supply Voltage		8-16Vdc Current 600mA
	Handheld Reader Internal LiPo Battery Pack		7.4V 3800mAh Rechargeable (not field-serviceable)
	Charging Dock		Input: 100-240 Vac, 1A, 50/60Hz Max
	Relays	Max Switching	220Vdc 30W (resistive) 1A / 250Vac 37.5VA 1A
Running Spec with load		30Vdc 1A (resistive) / 125 Vac 0.3A (resistive), 1x10 ⁵ operations @ 20°C	
Radio	Frequency		2.4 GHz ISM band
	Type		Direct Sequence Spread Spectrum (DSSS)
	Transmit Power		15 dBm
	Receiver Sensitivity		-103 dBm (1% PER, 250Kbps)
	Modulation		O-QPSK
	Agency Approvals		FCC Part 15.247: FCC ID: U90-SM220
			Industry Canada (IC): 7084A-SM220
			CE Certified: Certified to EN300 328 Version 1.8.1
Security Encryption		AES encryption upon request (export restrictions may apply)	
Wireless range	Indoor	150 feet* (45 meters*) Typical Range	
	Outdoor	500 feet* (150 meters*) Typical Range	
	*Note: Distances are typical line-of-sight. Actual distance may vary depending upon terrain, RF environment, building materials, and height of antenna.		
Additional Features	AES encryption for secure communications (upon request)		
	Vend button controls a relay for functions such as operating gates or possible duress notification		
	Handheld Reader's gate selection feature can be used for ingress and egress lanes or gates		
	Channel selection is factory-configured		
	Diagnostic indicator on base unit for determining operational status of the unit		
	Optional Repeaters extend distance and bypass line-of-sight issues		

Table of Contents

Topic	Page
Credential Technologies & Ordering Information	1
Benefits of the Cypress Handheld Wireless ReaderSystem	2
Specifications	2
Cable recommendations	4
Unpacking system components	4
Important safety information	4
Bench testing	5
System overview	5
Field installation and testing	6
Handheld Reader diagram	9
LED indicators	9
Pin layout, Base Unit	10
Base Unit and access control panel interface / wiring diagram	11
Addendum: Handheld Reader channel and address programming	12
Addendum: Reconfiguring the Base Unit radio	13
Addendum: Using the Handheld Wireless Reader system with a Cypress Repeater	14

HHR-3150 Series Base Unit Cable Recommendations

Wiegand and LED

PVC - Belden 9873 - 20 AWG 3 pair shielded, 500 feet max.

Plenum - Belden 83606 or 85164 - 20 AWG 3 pair shielded, 500 feet max.

Power (local)

PVC - Belden 8461 - 18 AWG 1 pair, 25 feet max.

Plenum - Belden 82740 - 18 AWG 1 pair, 25 feet max.

Unpacking

- Remove packaging from units and check interior of Base Unit for any shipping damage.
- Inventory any included parts (depending on model).



Base Unit
HHR-6400



Handheld Rdr / Dock
(See pg. 1 for part #)



Reader Holster (opt.)
HHR-HOL3



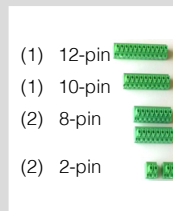
Charger
HHR-RCHL



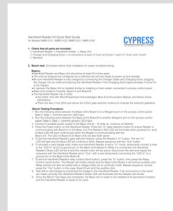
Repeater (opt.)
RPT-5651



Program cards (opt.)
HHR-CPC1/APC1



6 Connectors



Quick-Start Guide



Warranty

IMPORTANT SAFETY INSTRUCTIONS AND WARNINGS For LiPo BATTERIES

It is important to specifically use a Lithium Polymer/Li-ion charger only. Do not use a NiMH or NiCd charger. Failure to use the proper charger may cause a fire, which could result in personal injury and property damage.

Never charge batteries unattended. When charging LiPo/Li-ion batteries, batteries should constantly be observed to monitor the charging process to ensure batteries are being charged properly and to respond to potential problems which may occur.

Some LiPo/Li-ion chargers on the market may have technical deficiencies and charge the LiPo/Li-ion batteries incorrectly or at an improper rate. It is your responsibility to ensure the charger you purchased works properly.

If at any time a battery begins to heat, smoke, swell, or balloon, immediately stop charging the battery and disconnect the charger, then observe the battery in a safe place for approximately 15 minutes, since the battery could leak and react with air, causing chemicals to ignite and result in a fire. Since delayed chemical reaction can occur, it is best to observe the battery as a safety precaution, in a safe area outside of any building or vehicle and away from any combustible material.

Bench Testing

Basics:

- Before field-installing units, they should be tested at a convenient bench top location. This will make it easier to verify / change settings and check operation when both units are visible, instead of far apart.
- Handheld Reader and Base Unit should be at least 24 inches apart.
- The Base Unit needs a suitable 8-16 Vdc power supply connected.
- The units as shipped are configured as a matched set and are ready to power up and operate.
- Be sure Handheld Reader is fully charged by connecting the charger cable and charging dock, plugging the charger into an outlet and placing Reader in the charging dock (approximately 5 hours).
- In general, the Base Unit is installed similar to a fixed reader connected to an access control panel.
- Base Unit contains 2 boards: Board A and Board B (see pg. 10).
- Review product manual, including Handheld Reader Features and LED Indicators (pg. 9), and HHR-6400 Base Unit Pin Layout (pg. 10).

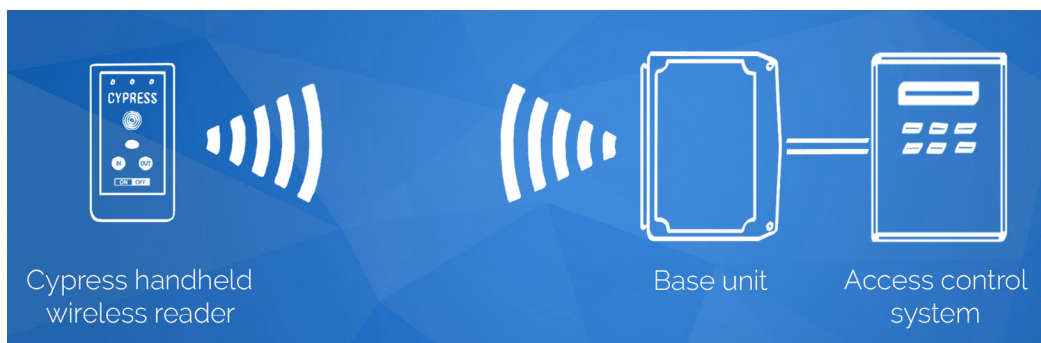
Bench Testing:

1. Run the following wires between the Base Unit's Board A to a Wiegand port on the access control panel: Data 0, Data 1, common ground, LED input.
2. Run the following wires between the Base Unit's Board B to another Wiegand port on the access control panel: Data 0, Data 1, common ground, LED input.
3. Connect a suitable power supply to the Base Unit (8 - 16 Volts dc; minimum of 600mA).
4. *Test whether Reader is communicating with Board A on the Base Unit:* Press the Power button on the Handheld Reader. Press the "In" gate selection button. The Reader's Red LED will illuminate when powered on, and its Blue LED will blink continuously when the Reader is communicating with the Base Unit. The LED on Board A (in Base Unit) will also flash green.
5. *Test whether Reader is communicating with Board B:* Press Reader's "Out" gate button and repeat #4.
6. *Test the Handheld Reader's gate selection feature:* Press the Reader's "In" button. The red "In" LED will light and the Blue LED will continue to blink. Repeat sequence with the "Out" button.
7. *Test a simulated valid badge read:* Make sure Handheld Reader is set to "In" mode, then temporarily connect a wire to the "LED In" and to a ground pin on the Base Unit's Board A. While it is connected, the Handheld Reader's Green LED will be lit and the vibrate motor will be active. Disconnect the wire and repeat the sequence with the Handheld Reader set to "Out" with a wire temporarily connecting the "LED In" to a ground pin on the Base Unit's Board B.
8. *Test the Handheld Reader's relay control:* Press the "In" button, then press the Relay Control (Vend) button. The Reader will briefly vibrate and the Base Unit's Board A will emit an audible click. Relay activity can also be tested with a voltage meter set to continuity mode. Repeat sequence, except press the "Out" button; in this case, Board B will emit the audible click. Refer to relay voltage rating in the Specifications Table on pg. 2.
9. Once the Bench Test steps are completed, the Base Unit is ready to be installed at its permanent location, and the Handheld Reader is ready to be used.

Overview: How the HHR System Functions

The Handheld Reader system reads Wiegand RF proximity badges and sends badge data to its Base Unit through a radio link. The Base Unit, which is installed similar to a standard fixed-mount reader, interfaces with an access control panel.

An access control panel determines whether the badge is valid or invalid. When valid badge data is presented, the panel will trigger an LED, Strike Relay output, or both, depending upon the type of panel.



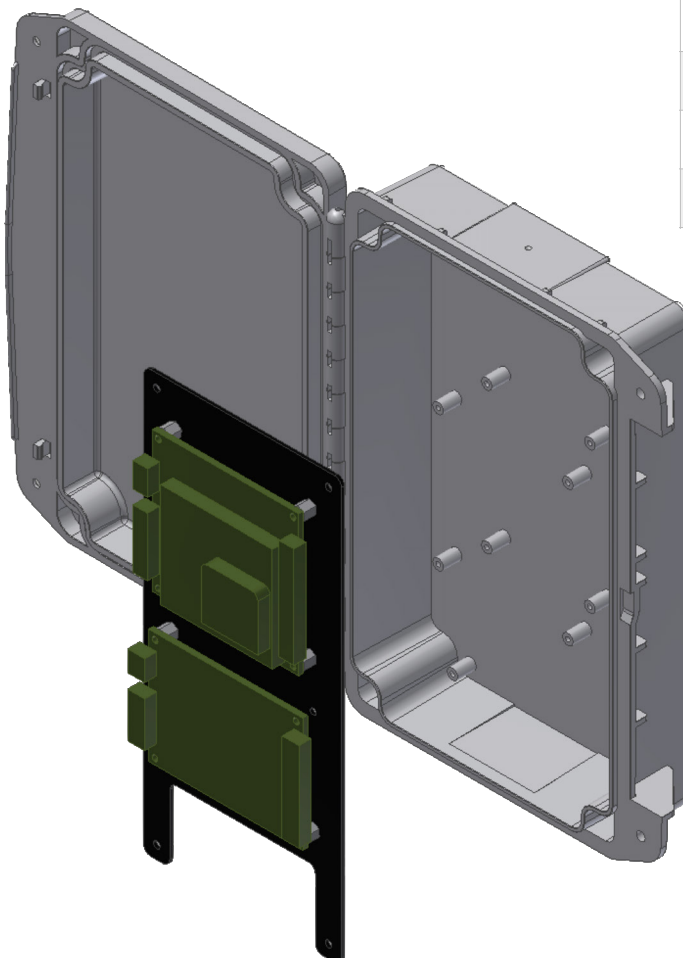
Field Installation

A. Determine Base Unit location

1. The Base Unit should be mounted in a location which allows maximum range between the Base Unit and the Handheld Reader. *Typical maximum range for the wireless connection between the Handheld Reader and the Base Unit is 150 feet line-of-sight indoors, or 500 feet line-of-sight outdoors.*
2. It is not recommended to locate the Base Unit directly above the area where Handheld Readers will be used, as communication issues may occur.
3. The Base Unit location must accommodate a wired connection to the access control panel.

B. Mounting the Base Unit

1. *Recommendation: Temporarily place the Base Unit at its desired mounting location. Use a battery to power up the Base Unit and test the wireless connection between the Base Unit and the Handheld Reader. (See Handheld Reader Testing steps, below.)*
2. In general, the Base Unit should be mounted at least 10' above the ground outdoors, or 5-6' above the floor indoors, and should not be mounted directly above the area where Handheld Readers will be used. If obstacles are present (vehicles, trains, buildings, trees, etc.) choose a location high enough to avoid interference.
3. A non-metal mounting surface is recommended for the Base Unit (metal surfaces reduce the effective range between the Base Unit and the Handheld Reader). If metal surface use is unavoidable, space the Base Unit as far from the metal as possible using a plastic, wood, or other non-metal spacer.
4. The Base Unit must be mounted in the upright position. When correctly oriented, "Cypress" can be clearly read and the enclosure door will be to the left when open.
5. Remove the backplate and circuit boards from the enclosure before drilling any holes in the enclosure to avoid damaging the backplate or circuit boards. The backplate is held in place by 4 Phillips screws at each corner of the enclosure.



Tools Needed

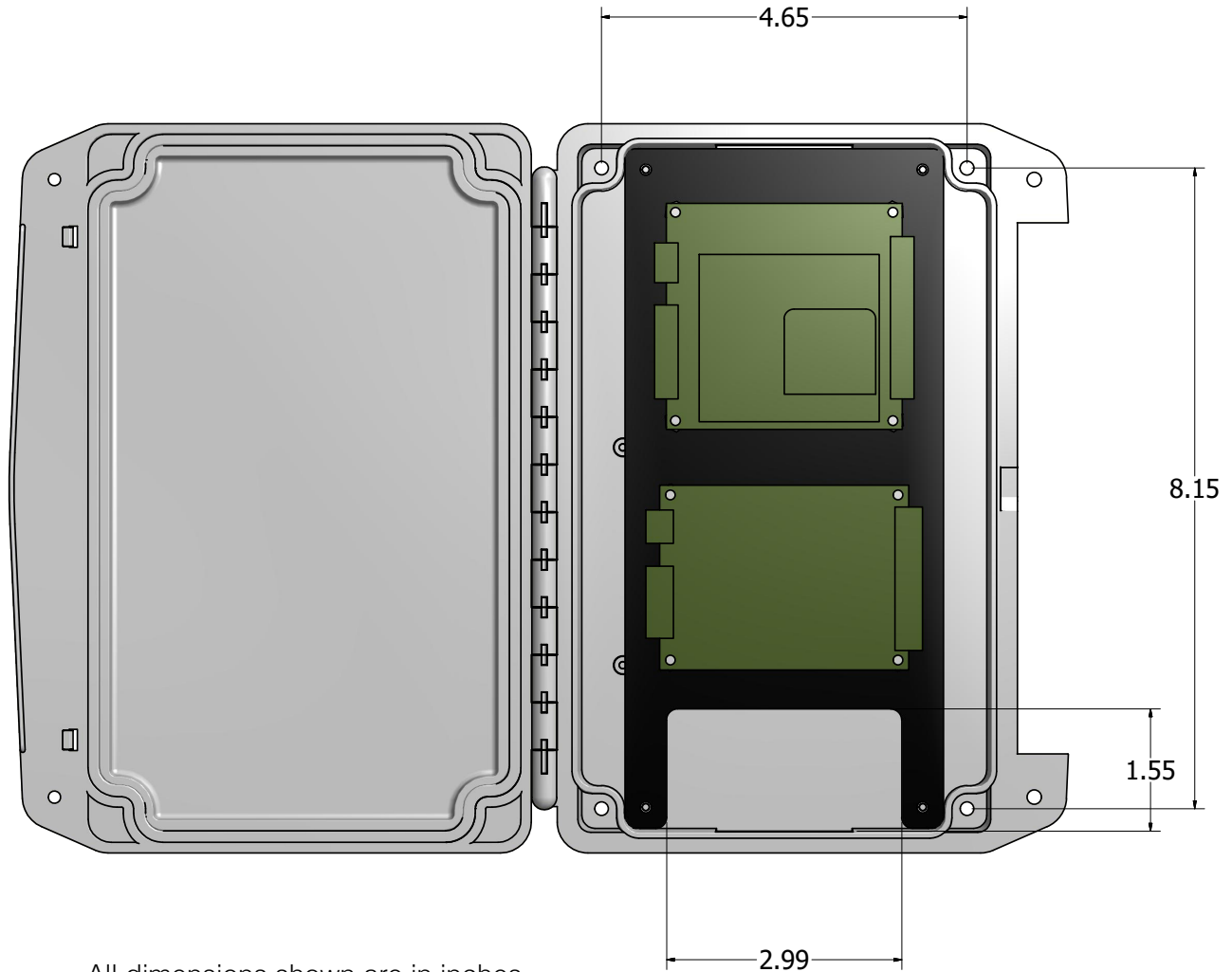
Drill

Phillips Screwdriver

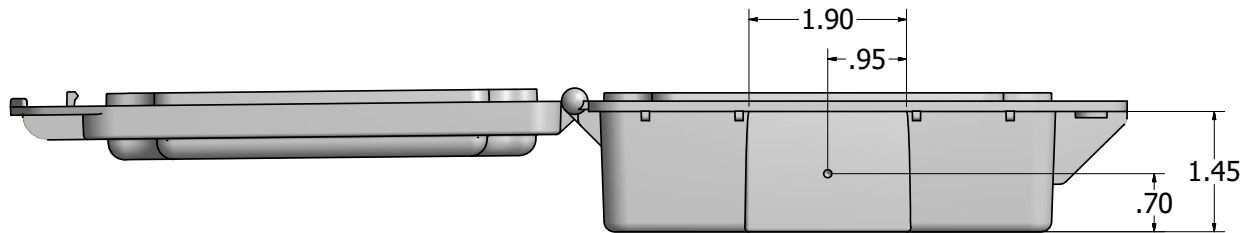
3/16" Drill Bit (if using wall anchors)

7/64" Drill Bit (if not using wall anchors)

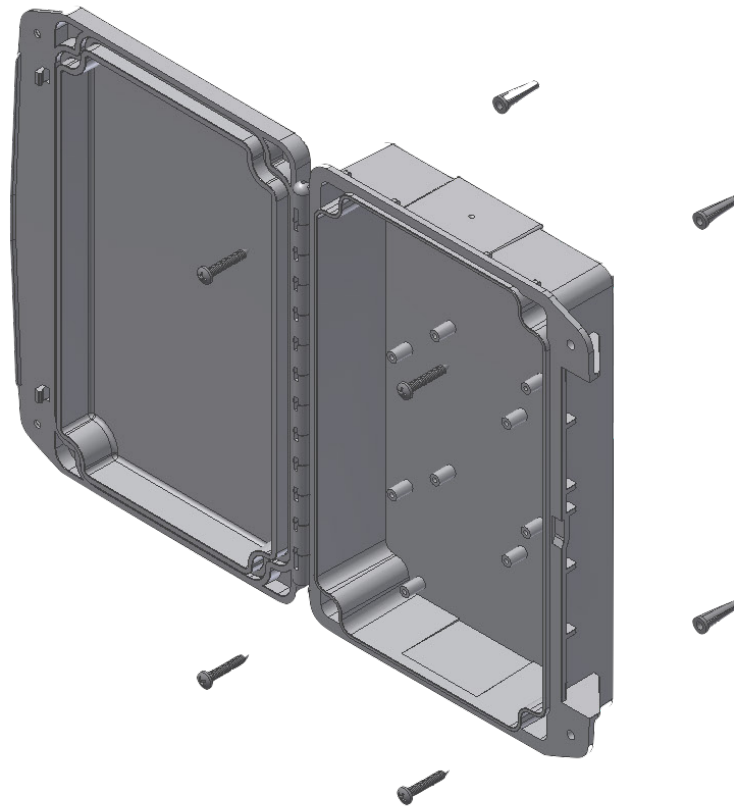
6. Install a grommet on bottom of the enclosure using the preformed divot as a guide for the drill bit. See lower diagram.



All dimensions shown are in inches.



7. Drill the mounting holes into the mounting surface.
 - a. If using wall anchors: Following the hole pattern shown above, use an appropriate 3/16-inch drill bit to drill holes into the surface with a depth of at least 1.25 inches. Place the wall anchors into the newly drilled holes.
 - b. If NOT using wall anchors: Following the hole pattern shown above, use a 7/64-inch drill bit to drill holes into the surface with a depth of at least 1.25 inches.
8. Use a Phillips screwdriver to mount the enclosure to the surface using the four #8 x 1 inch screws included with the enclosure. See diagram on page 8.
9. Use a Phillips screwdriver to mount the backplate and circuit boards in the enclosure.
10. Enclosure locking screws (6-32 x 3/8) max torque rating 8.5 inch-pounds.



C. Connecting the Base Unit to the access control panel

1. To properly connect Base Unit to control panel, 2 separate Wiegand ports must be available on the panel.
2. Starting with Board A in the Base Unit, connect Data 0, Data 1, common ground, and LED Input to one of the available Wiegand ports.
3. Continuing with Board B, connect Data 0, Data 1, common ground, and LED Input to the other available Wiegand port, referring to the wiring diagram on pg. 11 as needed.
4. To power the Base Unit, connect the power supply to Board A and Board B with an 8-16Vdc power supply, with a minimum of 600mA of current (the 2 boards require 300mA each).

D. Testing the Handheld Reader-to-Base Unit connection

1. Be sure the Handheld Reader has been charged for at least 4 hours prior to testing.
2. Press the Power button on the Handheld Reader. Press the "In" gate selection button to test whether the Reader is communicating with Board A on the Base Unit. The Reader's Red LED will illuminate, and its Blue LED will blink continuously when the Reader is communicating with the Base Unit. The LED on Board A (in Base Unit) will also flash green.
3. To test the Handheld Reader's gate selection feature, press the Reader's "In" button. The red "In" LED will light and the Blue LED will continue to blink. Repeat sequence with the "Out" button.
4. To simulate a valid badge read, make sure Handheld Reader is set to "In" mode, then temporarily connect a wire to the "LED In" and to a ground pin on the Base Unit's Board A. While it is connected, the Handheld Reader's Green LED will be lit and the vibrate motor will be active. Disconnect the wire and repeat the sequence with the Handheld Reader set to "Out" with a wire temporarily connecting the "LED In" to a ground pin on the Base Unit's Board B.
5. To test the Handheld Reader's relay control, press the "In" button, then press the Relay Control (Vend) button. The Reader will briefly vibrate and the Base Unit's Board A will emit an audible click. Relay activity can also be tested with a voltage meter set to continuity mode. Repeat sequence, except press the "Out" button; in this case, Board B will emit the audible click. Refer to relay voltage rating in the Specifications Table on pg. 2.
6. Test with a valid badge by presenting the badge to the Handheld Reader. If all connections to the panel are made correctly, the Reader's Green LED will illuminate and the Reader will vibrate.

Note: If there is no direct line of sight, if obstacles are present, or if additional distance is needed between the Base Unit and Handheld Reader, a Cypress Repeater unit is recommended. See pg. 14.

LED Indicators (Handheld Reader and Base Unit)

Handheld Reader LEDs

- Red LED (top left - power & card acknowledge)
Illuminated: Handheld Reader's power button is activated and unit is on.
Briefly blinks off then illuminates: A badge has been sensed.
- Blue LED (top center - communication status)
Blinks continuously: Handheld Reader is communicating with Base Unit.
Not lit: Reader is not communicating with the Base Unit.
- Green LED (top right - card verification)
Illuminated: Valid badge. Reader should also vibrate.
- In Gate (Lane) selection LED: Illuminates red when "In" gate is selected.
- Out Gate (Lane) selection LED: Illuminates red when "Out" gate is selected.

Base Unit Diagnostic LEDs

Inside the Base Unit, Board A and Board B each have a diagnostic LED. These diagnostic LEDs are located between the 2-pin and 8-pin headers on each board.

The diagnostic LEDs are bi-color and may display red, green, or red and green, depending on the status.

- When the "In" gate button is selected on the Handheld Reader, Board A's diagnostic LED flashes green, and Board B's diagnostic LED displays solid red.
- When the "Out" gate button is selected on the Handheld Reader, Board A's diagnostic LED flashes red and green, and Board B's diagnostic LED flashes green.
- When the Handheld Reader is powered off or not communicating with the Base Unit, Board A's diagnostic LED flashes red and green, and Board B's diagnostic LED displays solid red.

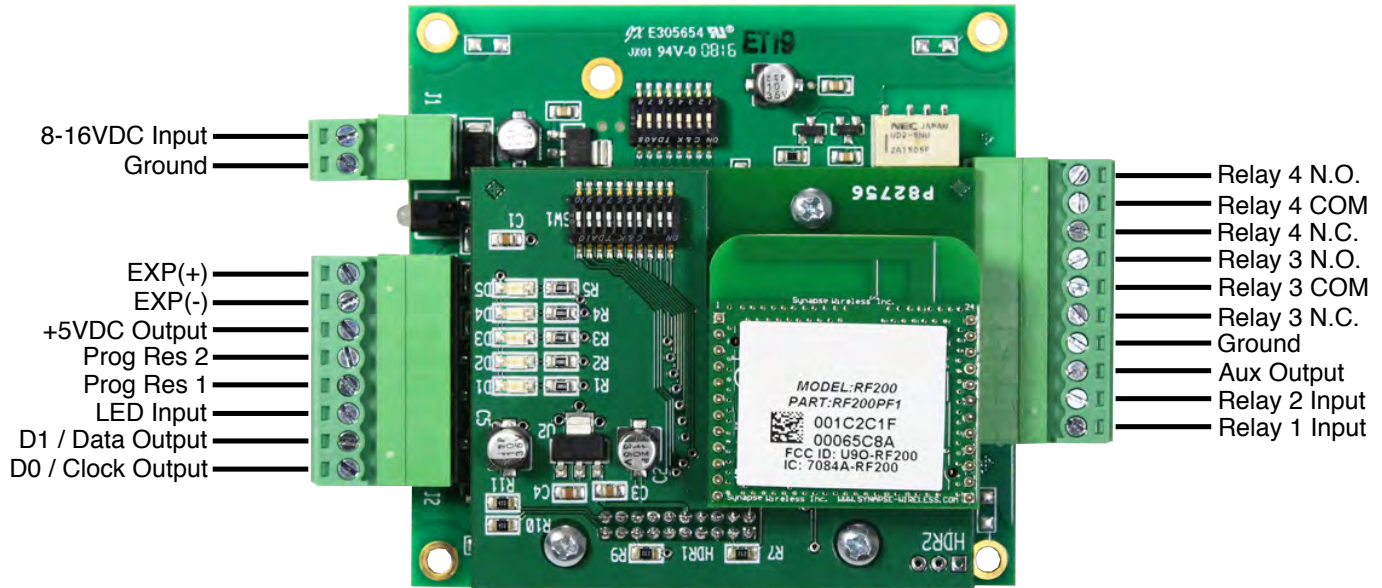


Handheld Reader Kit includes Handheld Reader (shown), Charging Dock with charger, and Base Unit.

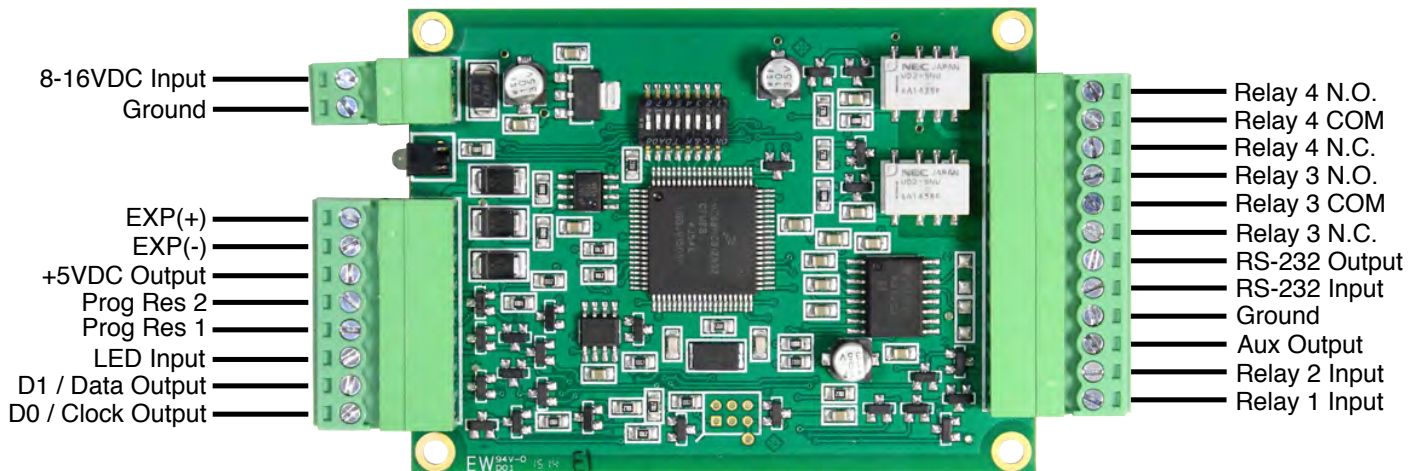
See Credential Technologies and Ordering Information, pg. 1.

HHR-6400 Pin Layout

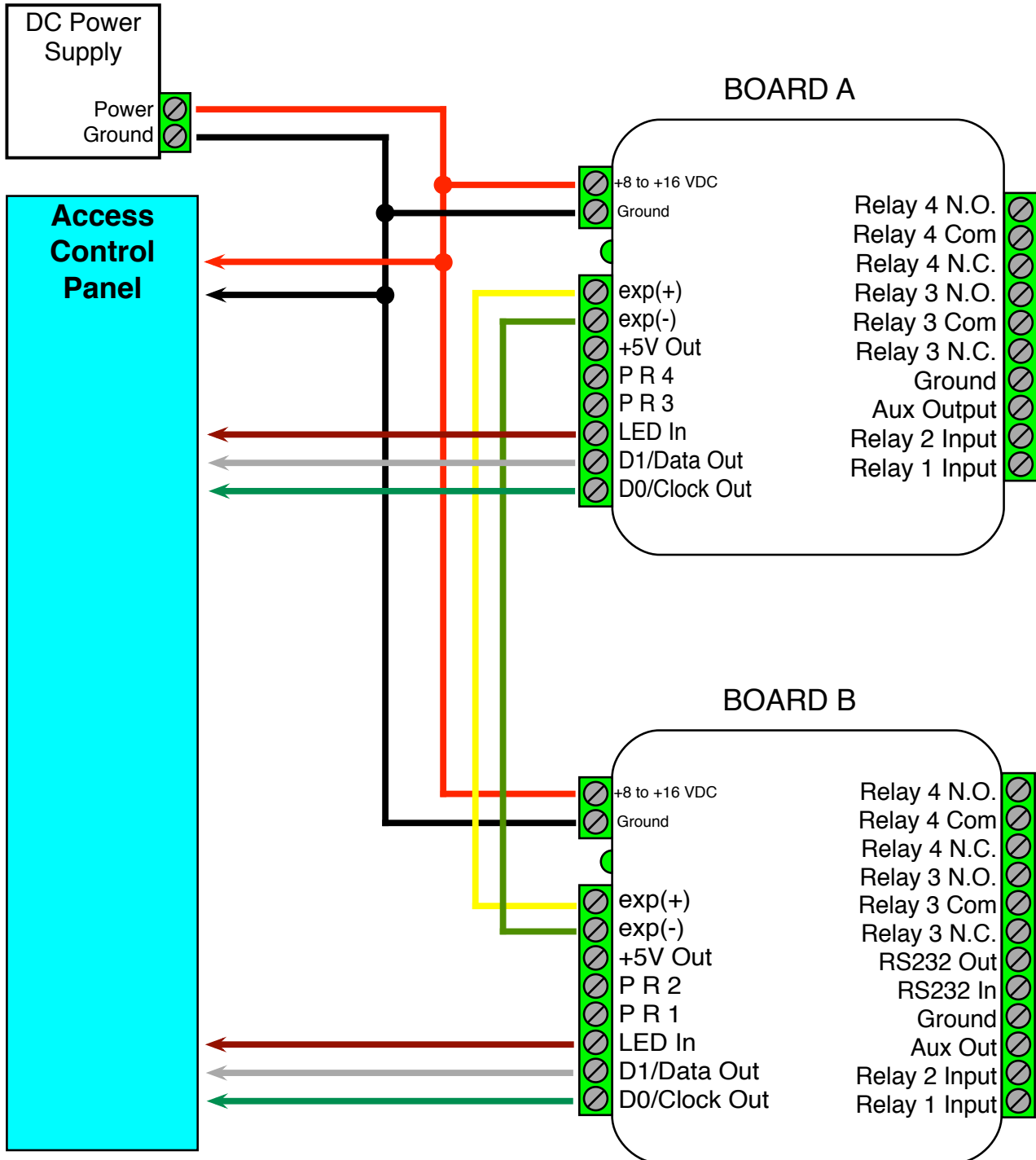
BOARD A



BOARD B



HHR-6400 - Wiegand Base Unit Panel Interface



ADDENDUM

Handheld Reader Channel and Address Programming

Handheld Readers will provide for field selection of Channel (2-14) and Network Address (0-1) using programming cards. The channel programming cards are labeled Channel 2-14.

Handheld wireless networks are separated through the use of separate channels. A Reader is shipped preconfigured to communicate with its Base Unit over one specific channel. If it becomes necessary to configure channels using the programming cards, follow the instructions below. Note: Address and Channel Programming cards are used only with the Handheld Reader, not the Base Unit.

Model	Channel Programming Card	Address Programming Card
HHR-3152 (low frequency)	HHR-CPCL	HHR-APCL
HHR-3156 (high/low frequency)	HHR-CPCL or HHR-CPCH	HHR-APCL or HHR-APCH
HHR-3157 (high frequency)	HHR-CPCH	HHR-APCH

Use high-frequency programming cards with the HHR-3157 models. Use low-frequency programming cards with the HHR-3152 models. Use either low or high programming frequency cards with the HHR-3156 models.

To change the channel of the Base Unit

1. Remove power from the Base Unit.
2. Using the diagram on pg. 10 of this document as a reference, modify the DIP switches of the Base Unit for the desired channel.
3. Apply power to the Base Unit.
4. Observe that the Base Unit no longer communicates with the Handheld Reader.

To change the channel of each Handheld Reader

1. Turn the Handheld Reader on by pressing the power button momentarily.
2. Observe that it is not communicating with the Base Unit.
3. Present the desired channel programming card.
4. Observe the Red LED wink for 1/2 second indicating the card was read.
5. The Blue LED should start blinking indicating that it is communicating with the Base Unit.

Card Programming - Troubleshooting

For all Handheld Reader steps indicated above, the following error conditions may occur.

Step 2 - If the Red LED does not illuminate, the batteries may need to be replaced or charged.

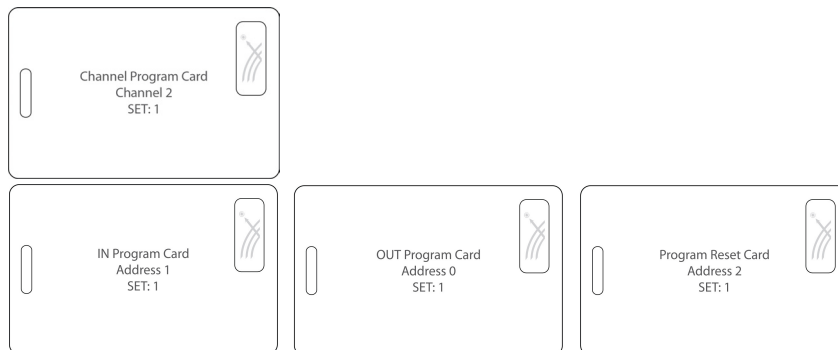
Step 4 - If you do not see the Red LED wink out for 1/2 second, present the badge again.

- If the Red LED still does not indicate a badge read has occurred, then there may be a problem with the Reader.

- When trying multiple times, make sure the badge is at least 1 foot away from the Handheld Reader before presenting the badge again.

- Allow the unit to power off for 1 minute and try again.

Sample Channel & Address Cards



Typical Handheld Installation with Optional Repeater



Basics:

The Cypress Repeater is used to get around obstacles that prevent a clear line of sight between the Handheld Reader and the Base Unit. It is mounted similar to the Base Unit. Please review pg. 6.

Installation:

Find a suitable location for the Cypress Repeater Unit between the area where the Handheld Reader will be used and the Base Unit. There should be a clear line of sight between the Repeater and both units. Mount the Repeater at the same height at which the Base Unit is mounted, preferably on a non-metal surface.

Connect a power supply to the Repeater.

Once the Repeater has power, the status LED on the main board will stay solid green. The Repeater will now repeat any signals received from the Handheld Reader and Base Unit. If communication problems still exist, it may be necessary to relocate the Repeater.